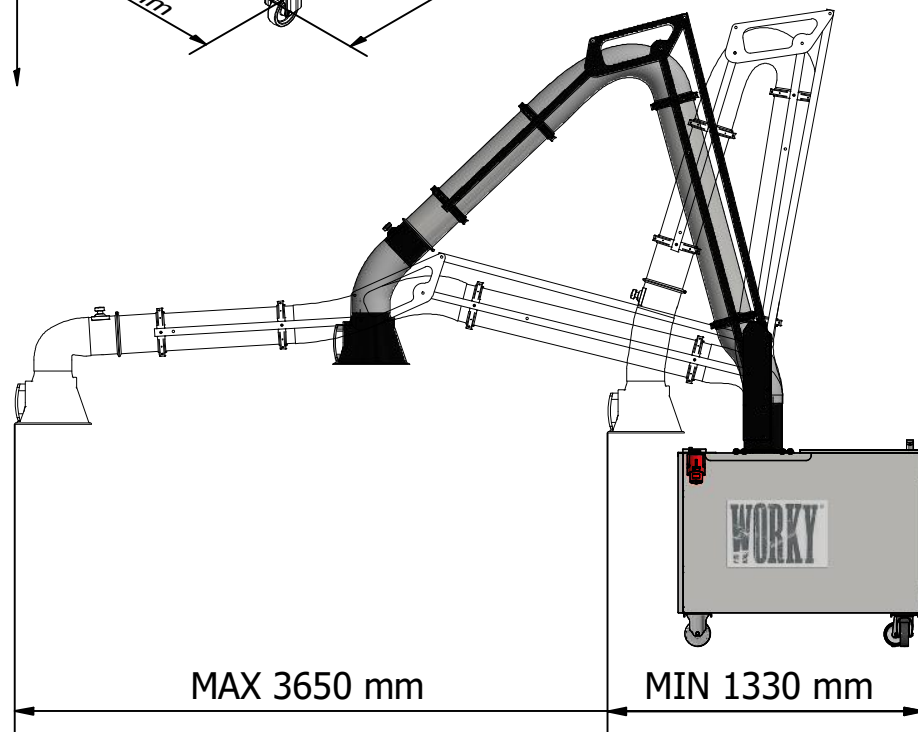
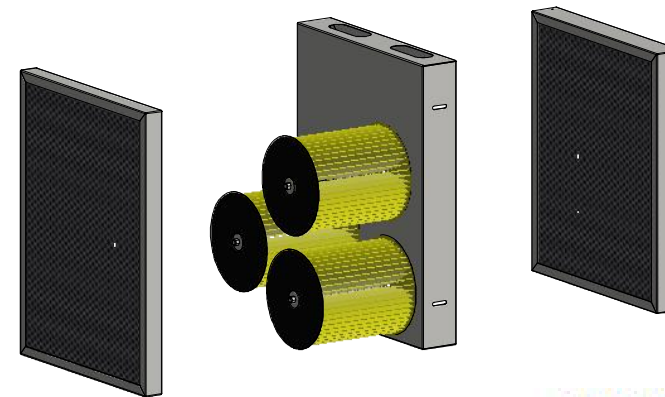
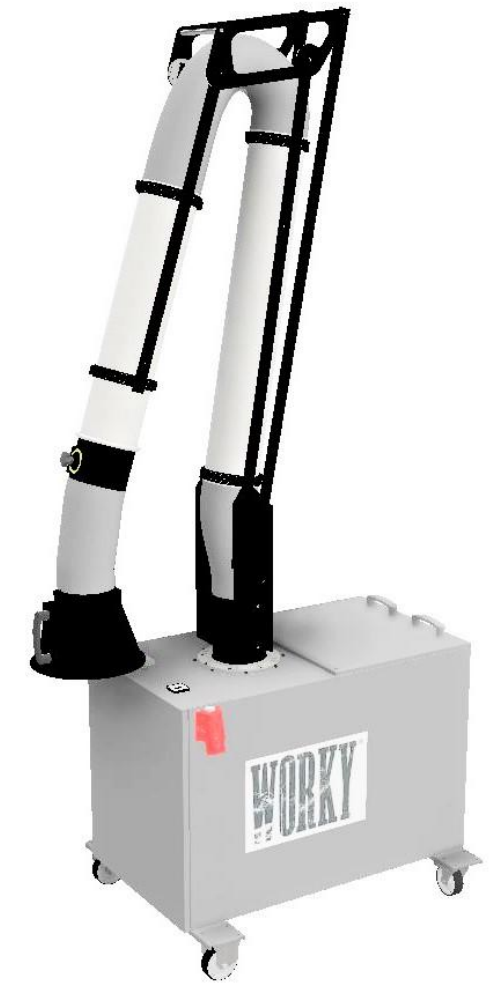
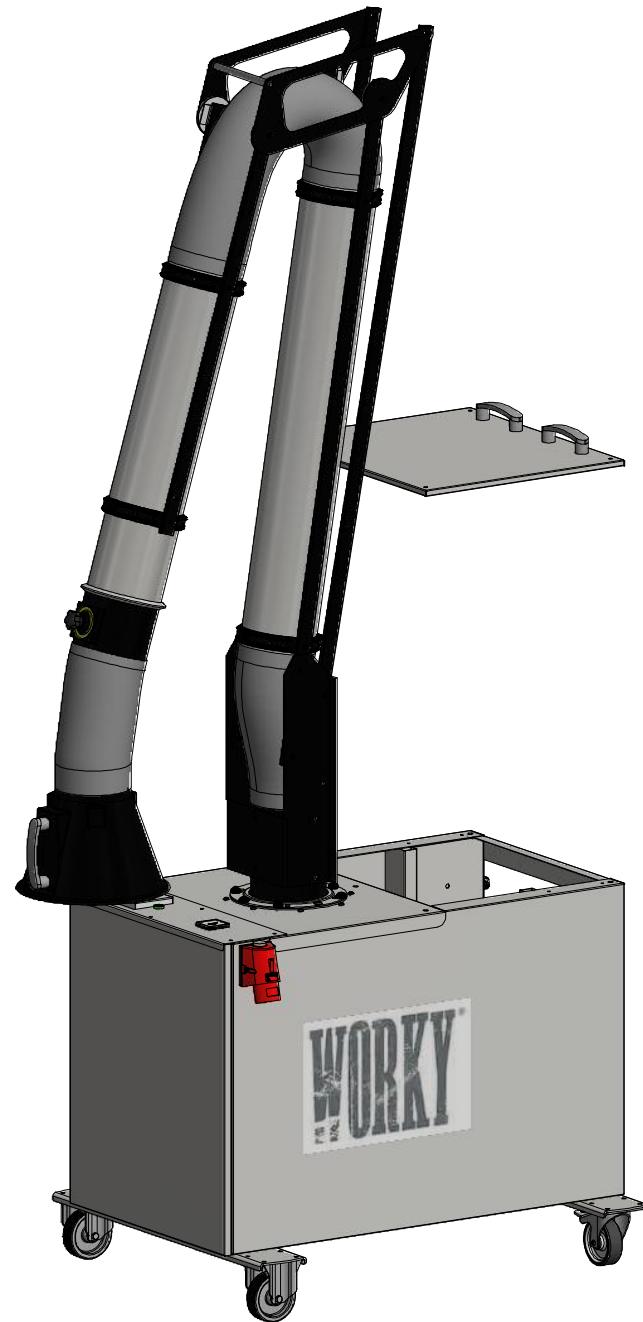
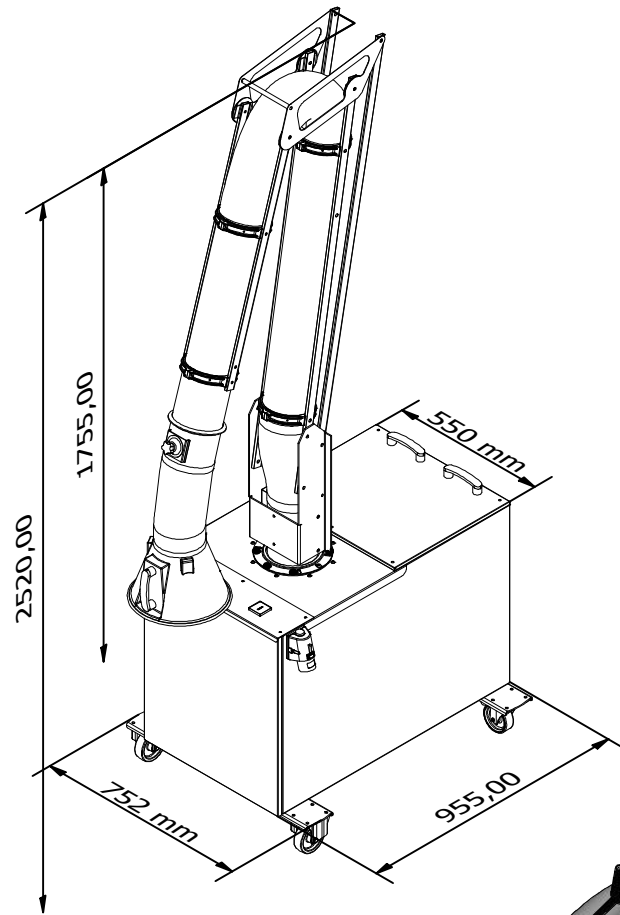


WORKY[®]

SMOBIPLUS-C - technical datasheet



SMOBIPLUS-C

POS.	DESCRIPTION	CODES
A	METAL MESH PREFILTER	SMOBIP-CFM
F	CARTRIDGES PANEL	SMOBIP-CART
D	5KG ACTIVATED CARBON FILTER	SMOBIP-CA5
	1.1 KW - 1.5HP - 400V - 3P+T - 50Hz	
	195 KG	
	100X80X80 + 35X70X160	